



LIBRA Full Tank

ELECTRO-HYDRAULIC OPERATOR FOR SWING GATES, FOR RESIDENTIAL AND INDUSTRIAL USE AND VERY INTENSIVE WORK

Strong and Silent

The Libra Full Tank has been planned in accordance with standards of silence, reliability and anticrush safety granted by setting valve for the max thrust regulation of the system.

Gates up to 2 metres long can be securely locked in both the open and closed position using the operators internal hydraulic locking system.

For gates up to 2 metres: Non hydraulic locking operators should be used in conjunction with a separate electrical locking device.

Manual Release:

The operator's internal hydraulic locking feature can be released using a special key, in case of power failure.



OPERATOR SPECIFICATION

Supply voltage	230 Vac \pm 5%
Motor power	220W
Motor current	1,2 A
Pump capacity	1/1,5 lt
Max working pressure - pump 1lt	40 bar
Max working pressure - pump 1,5lt	40 bar
Traction force at 15 Bar	190 Kg
Thrust force at 15 Bar	237,5 Kg
Operating temperature	-20°C +55°C
Thermal protection intervention	130°C
Max thrust	640 da N
Weight	8,5 Kg
Protection class	IP 55



Libra 100



Libra 200

DESCRIPTION	COD	LOCK TYPE	PUMP lt.	STROKE mm
LIBRA 100 FULL TANK/SA	10611005	SA (ONLY OPENING)	1	270
LIBRA 100 FULL TANK/AC	10601005	AC (OPENING AND CLOSING)	1	270
LIBRA 100 FULL TANK/SC	10631005	SC (ONLY CLOSING)	1	270
LIBRA 100 FULL TANK/SB	10621030	SB (WITHOUT LOCK, WITH BRAKE)	1	250
LIBRA 100 FULL TANK/AC	10601035	SB (OPENING AND CLOSING, WITH BRAKE)	1	250

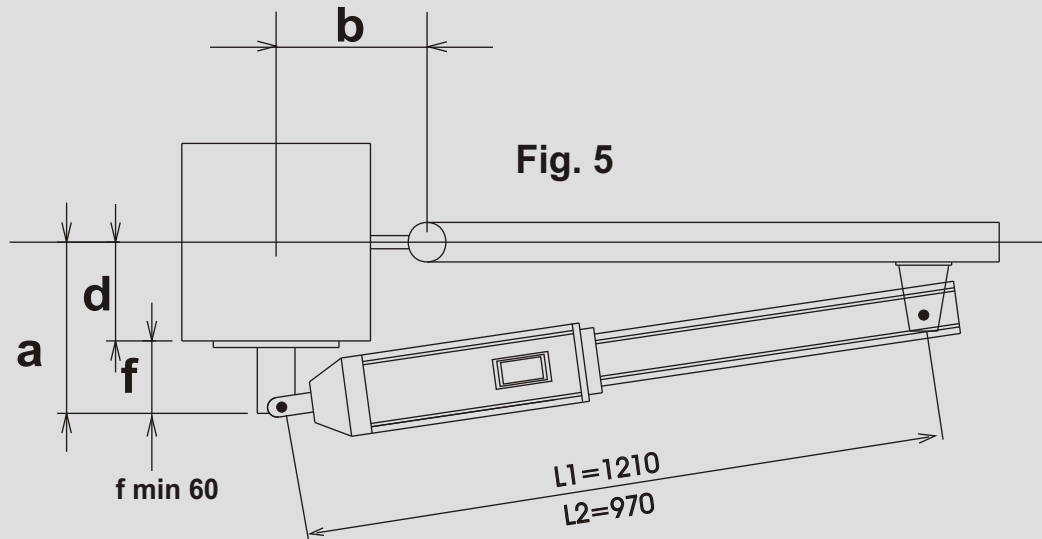
DESCRIPTION	COD	LOCK TYPE	PUMP lt.	STROKE mm
LIBRA 200 FULL TANK/SA	10711005	SA (ONLY OPENING)	1,5	390
LIBRA 200 FULL TANK/AC	10701040	AC (OPENING AND CLOSING, WITH BRAKE)	1,5	370
LIBRA 200 FULL TANK/SC	10731005	SC (ONLY CLOSING)	1,5	390
LIBRA 200 FULL TANK/SB	10721025	SB (WITHOUT LOCK, WITH BRAKE)	1,5	370

KIT FOR LIBRA FULL TANK

**ELECTRONIC CONTROL UNIT
FOR FULL TANK Cod. 23022005**



Typical Installation

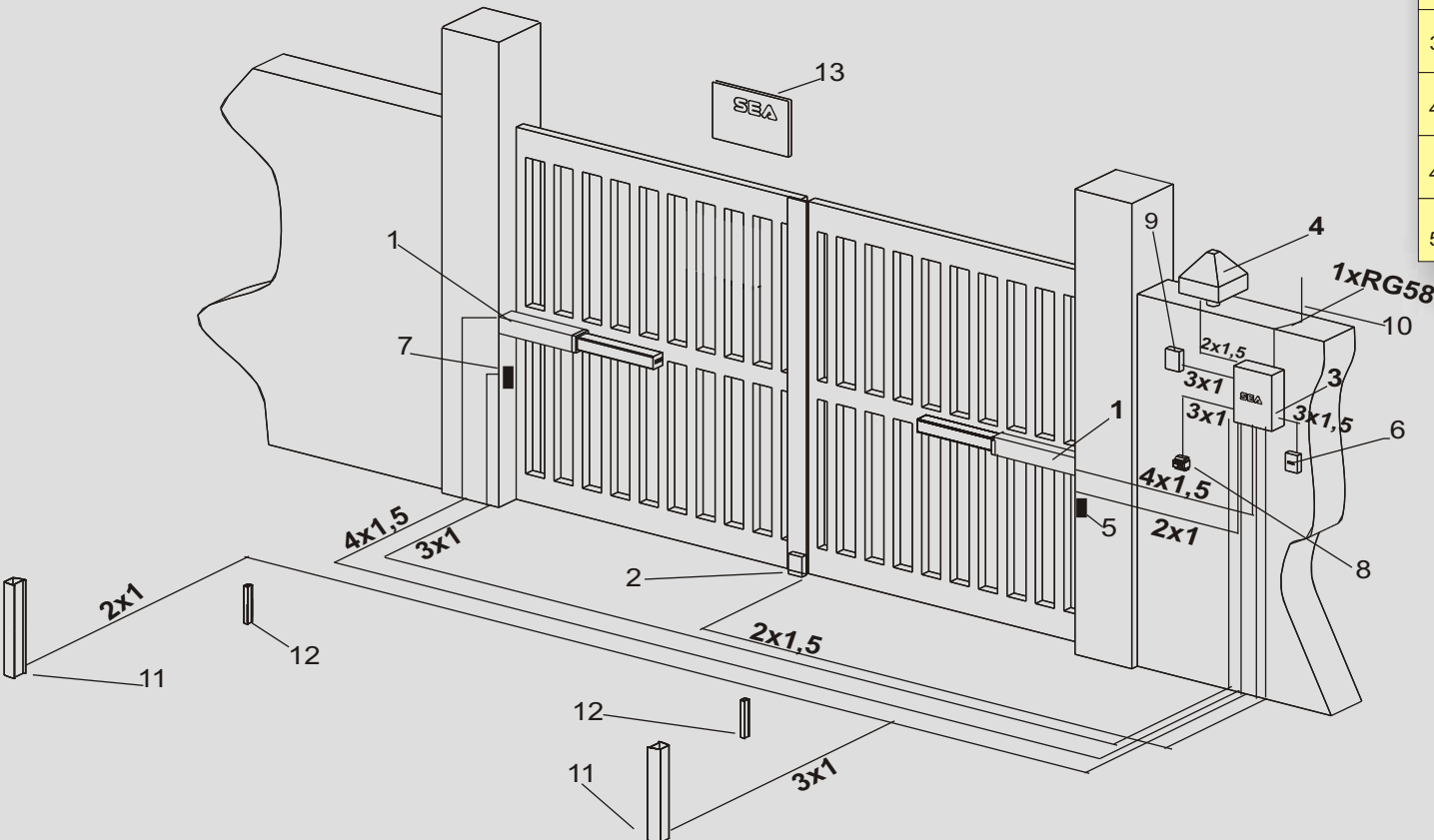


STROKE 390mm

LIBRA 200	Leaf length cm	a cm	b cm	d max cm	Stroke for 90° cm	Max opening angle <
	120 180	20	19	14	39	90°
120 180	22	16	16	39	90°	
120 180	26	12	20	39	90°	
180 250	20	19	14	39	90°	
180 250	22	16	16	39	90°	

STROKE 270mm

LIBRA 100	Leaf length cm	a cm	b cm	d max cm	Stroke for 90° cm	Max opening angle <	Pump C L/min
	100 180	10	9	5	19	110°	1.00
180 250	11	10	6	21	115°	1.00	
250 300	12	11	7	23	115°	1.00	
300 350	13	12	8	25	100°	1.00	
350 400	14	13	9	27	90°	1.00	
400 450	13	12	7	25	105°	0.75	
450 500	14	12	8	26	95°	0.75	
500 600	14	13	9	27	90°	0.75	



- 1-Electro-hydraulic operator
- 2-Electric locking
- 3-Electronic control unit
- 4-Warning light
- 5-Photocell Rx
- 6-Differential Switch 16A 0,03A
- 7-Photocell Tx
- 8-Keyswitch
- 9-Radio receiver
- 10-Antenna
- 11-Photocell support
- 12-Open and close stop
- 13-Warning plate